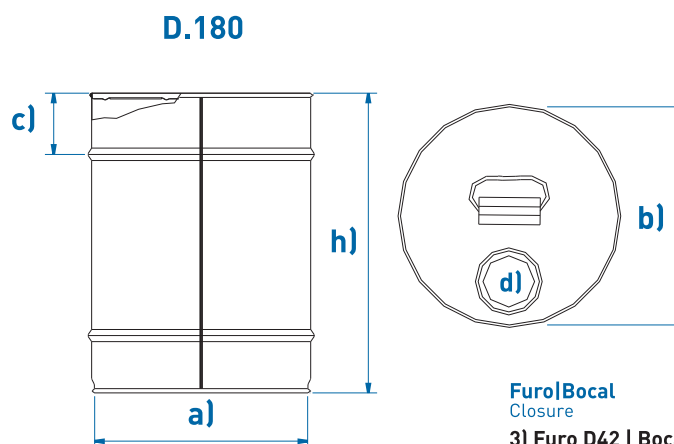
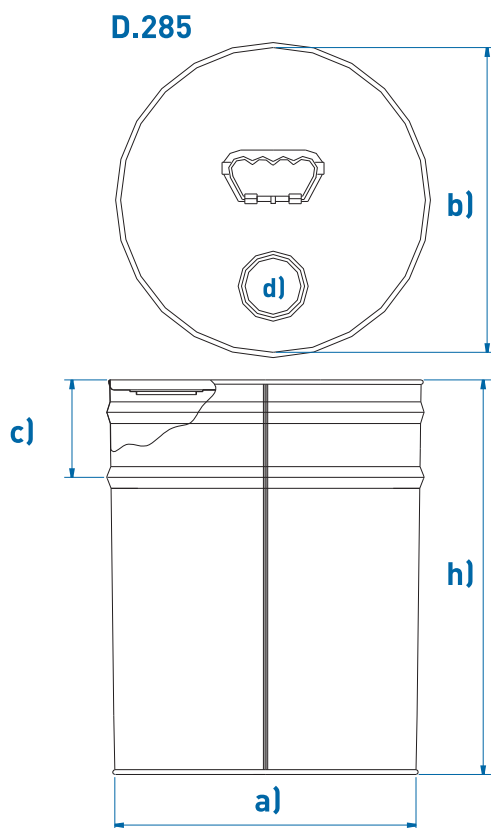
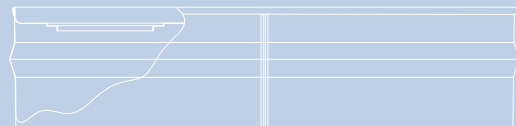


Embalagens cónicas com tampo furado

Conical drums



Furo|Bocal
Closure

3) Furo D42 | Bocal plástico
Closure D42 | Plastic closure

4) Furo D57 | Bocal plástico
Closure D57 | Plastic closure

| Formato Format | Capacidade nominal (ml) Filling volume (ml) | Capacidade real (ml) Brimful capacity (ml) | b) | a) | h) | No de canais Number of beads | c) | Peso total (gr) Total weight (gr) | Pega de plástico Plastic handle | Bocal d) Closure d) | UN / RID ADR | Obs. |
|-------------------|--|---|-----|-----|-----|---------------------------------|-----|--------------------------------------|------------------------------------|------------------------|--------------|------|
| D.180/178x245 | 5000 | 5620 | 178 | 174 | 245 | 2 | 52 | 427 | • | 3 | • | 1) |
| D.285/267x244 | 12500 | 13990 | 285 | 267 | 244 | 2 | 112 | 977 | • | 4 | • | 1) |
| D.285/267x378 | 20000 | 21700 | 285 | 267 | 378 | 2 | 112 | 1256 | • | 4 | • | 1) |
| D.285/267x454 | 25000 | 26820 | 285 | 267 | 454 | 2 | 112 | 1489 | • | 4 | • | 1) |
| D.285/267x473 | 27000 | 27900 | 285 | 267 | 473 | 2 | 112 | 1557 | • | 4 | • | 1) |

Gama standard. Em cada diâmetro existem outras alturas disponíveis. Consulte-nos sobre outras características.
Standard range. In each diameter there are other heights available. Ask us about other characteristics.

• - Com / with

1) Empilhável
1) Stackable

www.neorelva.pt

Apartado 07 EC de Vale de Cambra
3731 - 901 Vale de Cambra
Tel.: +351 256 460 160 Fax: +351 256 422 558
geral@neorelva.pt

neorelva
metal and plastic packaging