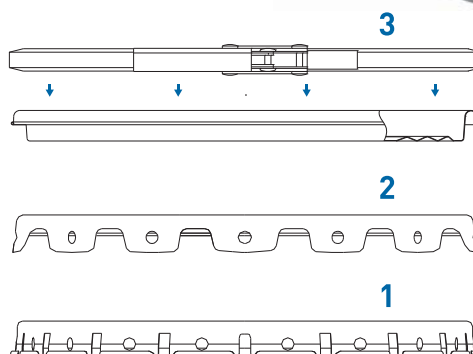
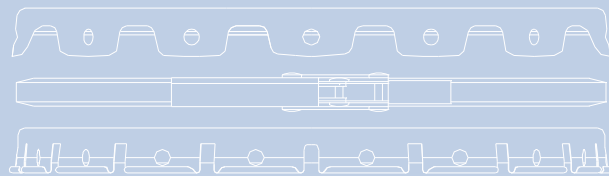
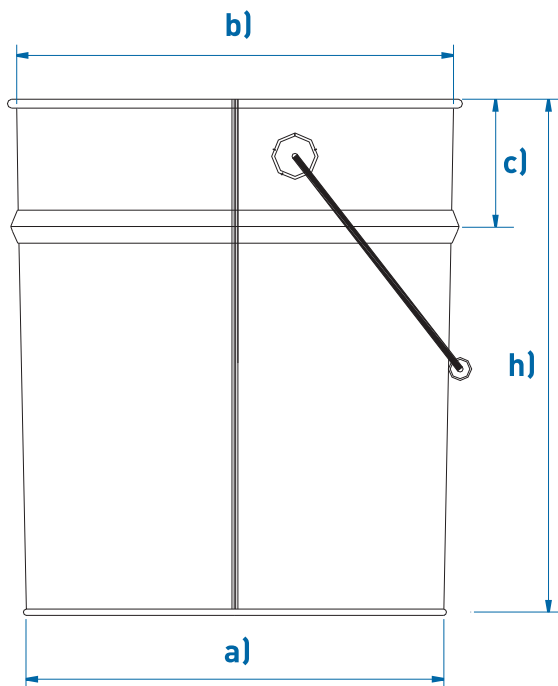


# Baldes cónicos

## Conical pails



### Furo|Bocal Closure

4) Furo D42 | Bocal plástico  
Closure D42 | Plastic closure

5) Furo D57 | Bocal plástico  
Closure D57 | Plastic closure

Formato Format	Cap. nominal (ml) Filling volume (ml)	Capacidade real (ml) Brimful capacity (ml)	b)	h)	a)	No de canais Number of beads	c)	Peso total (gr) Total weight (gr)	Tampo 1/2/3 Lid 1/2/3	Bocal dl Closure dl	UN / RID ADR	Obs.
D.180x169	3500	3542	180	169	167	1	62	343	2/3	0/4	0/0	UN/RID ADR - tampo 3 / lid type 3
D.180x208	4000	4410	180	208	167	1	62	388	2/3	0/4	0/0	UN/RID ADR - tampo 3 / lid type 3
D.180x254	5000	5440	180	254	167	1	64	448	2/3	0/4	0/0	UN/RID ADR - tampo 3 / lid type 3
D.240x232	8000	9100	240	232	223	1	65	932	1	0/5	-/0	
D.240x271	10000	10700	240	271	223	1	65	992	1	0/5	-/0	
D.285x216	10000	11900	285	216	267	1	70	1084	1/3	0/5	0/0	1)
D.285x248	12500	13790	285	248	267	1	70	1184	1/3	0/5	0/0	1)
D.285x300	15000	17322	285	300	267	1	70	1343	1/3	0/5	0/0	1)
D.285x320	16000	18014	285	320	267	1	70	1385	1/3	0/5	0/0	1)
D.285x370	20000	21286	285	370	267	1	70	1470	1/3	0/5	0/0	1)
D.285x454	25000	26315	285	454	267	1	70	1618	1/3	0/5	0/0	1)
D.285x459	25000	26400	285	459	267	1	70	1653	1/3	0/5	0/0	1)
D.285x467	25000	27110	285	467	267	1	70	1670	1/3	0/5	0/0	1)
D.292x233	12000	13784	291	233	280	1	65	1000	1/2	0/5	-/0	
D.292x294	15000	17173	291	294	280	1	70	1198	1/2	0/5	-/0	
D.292x326	18000	19282	291	326	280	1	75	1353	1/2	0/5	-/0	
D.292x361	20000	21405	291	361	280	1	85	1415	1/2	0/5	-/0	
D.292x449	25000	27943	291	449	280	2	112	1614	1/2	0/5	-/0	
D.305x284	15000	17820	305	284	285	1	70	1204	1/3	0/5	0/0	UN/RID ADR - tampo 3 / lid type 3
D.305x335	20000	21240	305	335	285	1	80	1360	1/3	0/5	0/0	UN/RID ADR - tampo 3 / lid type 3
D.305x390	23000	24900	305	392	285	1	85	1533	1/3	0/5	0/0	UN/RID ADR - tampo 3 / lid type 3

Gama standard. Em cada diâmetro existem outras alturas disponíveis. Consulte-nos sobre outras características.  
Standard range. In each diameter there are other heights available. Ask us about other characteristics.

0 - Opcional / Optional

1) Cravação tripla  
1) Triple seaming

[www.neorelva.pt](http://www.neorelva.pt)

Apartado 07 EC de Vale de Cambra  
3731 - 901 Vale de Cambra  
Tel.: +351 256 460 160 Fax: +351 256 422 558  
[geral@neorelva.pt](mailto:geral@neorelva.pt)

**neorelva**  
metal and plastic packaging