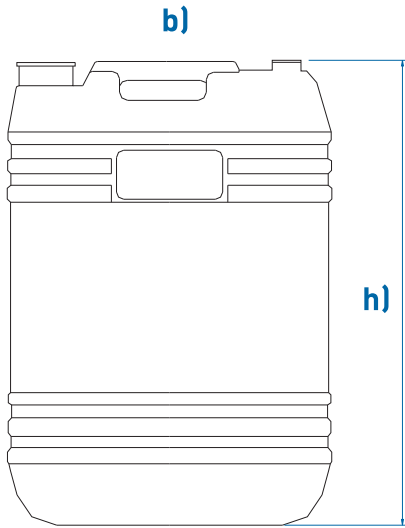
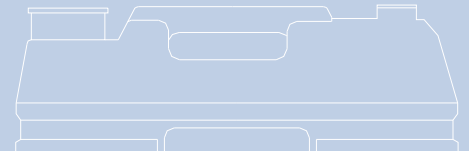
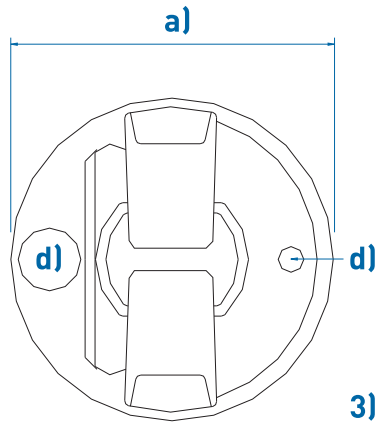


Jerricans

Jerricans



J01



3)

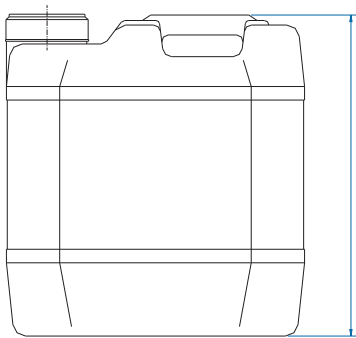


Furo|Bocal
Closure

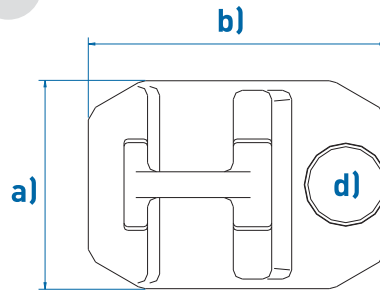
1) Furo D50 | Bocal plástico
Closure D50 | Plastic closure

2) Furo D77 | Bocal plástico
Closure D77 | Plastic closure

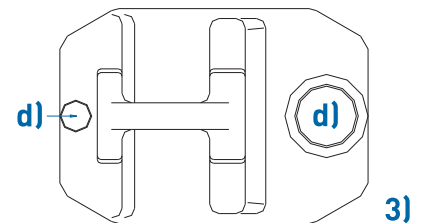
3) Furo 2" + 3/4" | Bocal plástico
Closure 2" + 3/4" | Plastic closure



J02



1) 2)



3)

Formato
Format

Capacidade nominal (ml)
Filling volume (ml)

Capacidade real (ml)
Brimful capacity (ml)

a) b) h)

Peso total (gr)
Total weight (gr)

Bocal (d)
Closure (d)

Sistema de impressão
Printing system

UN

Obs.

J02	5000	5315	148	195	240	242	1	-	•	Rectangular/Rectangular
J02	10000	11000	190	236	312	517	1	S	•	Rectangular/Rectangular
J02	20000	21100	230	330	355	1118	1/2	S	•	Rectangular/Rectangular
J02	25000	25775	230	330	425	1193	1/2	S	•	Rectangular/Rectangular
J02	30000	31245	230	330	492	1344	3	S	•	Rectangular/Rectangular
J01	60000	63000	394	-	587	2384	3	S	•	Cilíndrico/Cylindrical

Consulte-nos sobre outras características.
Ask us about other characteristics.

Sistema de impressão
Printing system

Serigrafia
Serigraphy

www.neorelva.pt

Apartado 07 EC de Vale de Cambra
3731 - 901 Vale de Cambra
Tel.: +351 256 460 160 Fax: +351 256 422 558
geral@neorelva.pt

 **neorelva**
metal and plastic packaging